

Version A

DISCLAIMER: The rules and regulations as described in the current Building Code of Australia and / or Australian Standards must be followed in preference to any details provided in this drawing. Unless specifically mentioned otherwise we assume Authority Approvals and / or Certification are sought and obtained by others. Contractors must verify all dimensions on site prior to quoting or starting any works, dimensions are not to be scaled from this drawing.

This drawing is only to be used in accordance with the terms and conditions as described at www.apexf.com.au/discclaimer.html
Apex Executive Interiors Pty Ltd - ABN 65 123 437 561

Graphic Film Version A

COPYRIGHT RESERVED
This drawing is the property of APEX EXECUTIVE INTERIORS Pty Ltd. It must not be copied without prior written consent. The information shown on it is to be regarded as confidential and must not be disclosed to any third party.

GF 00A

DRAWN BY: P.D.

FIRST DRAFTED: 03/11/2010

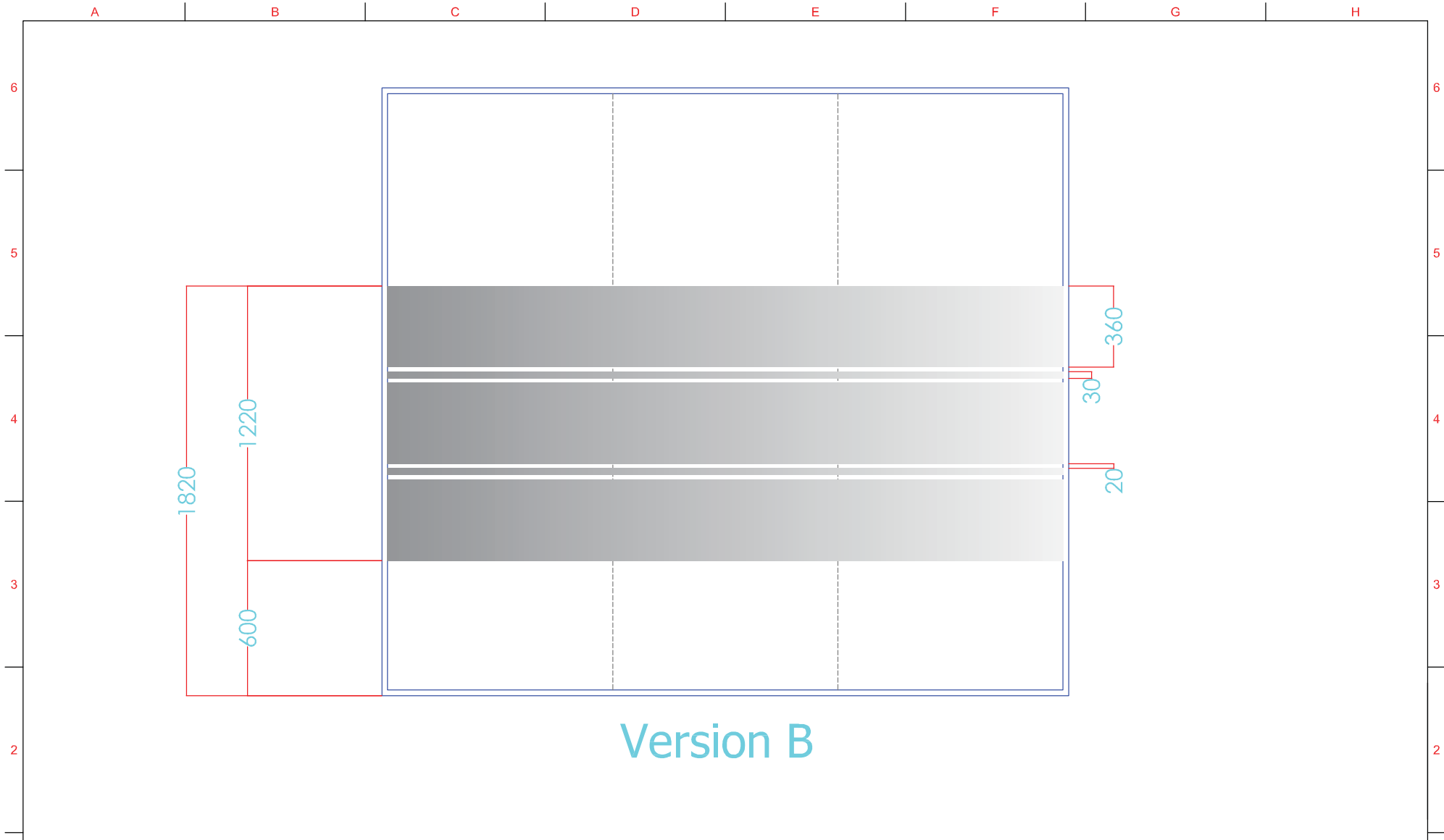
SHEET: 1 OF 1 A3

SCALE 1:16
DIMENSIONS MM
DO NOT SCALE



Unit 17, 12 Kendall St, Parramatta NSW 2150
Phone 02 9635 9100 Fax 02 9635 1122 Web www.apexf.com.au

| REVISION | DESCRIPTION | P.D. DRAWN | P.D. CHECKED | 03/11/2010 DATE |
|----------|----------------|------------|--------------|-----------------|
| A | ORIGINAL ISSUE | | | |



Version B

DISCLAIMER: The rules and regulations as described in the current Building Code of Australia and / or Australian Standards must be followed in preference to any details provided in this drawing. Unless specifically mentioned otherwise we assume Authority Approvals and / or Certification are sought and obtained by others. Contractors must verify all dimensions on site prior to quoting or starting any works, dimensions are not to be scaled from this drawing.

This drawing is only to be used in accordance with the terms and conditions as described at www.apex.com.au/disclaimer.html
Apex Executive Interiors Pty Ltd - ABN 65 123 437 561

Graphic Film Version B

COPYRIGHT RESERVED
This drawing is the property of APEX EXECUTIVE INTERIORS Pty Ltd. It must not be copied without prior written consent. The information shown on it is to be regarded as confidential and must not be disclosed to any third party.

GF 00B

DRAWN BY: P.D.

FIRST DRAFTED: 03/11/2010

SHEET: 1 OF 1 A3



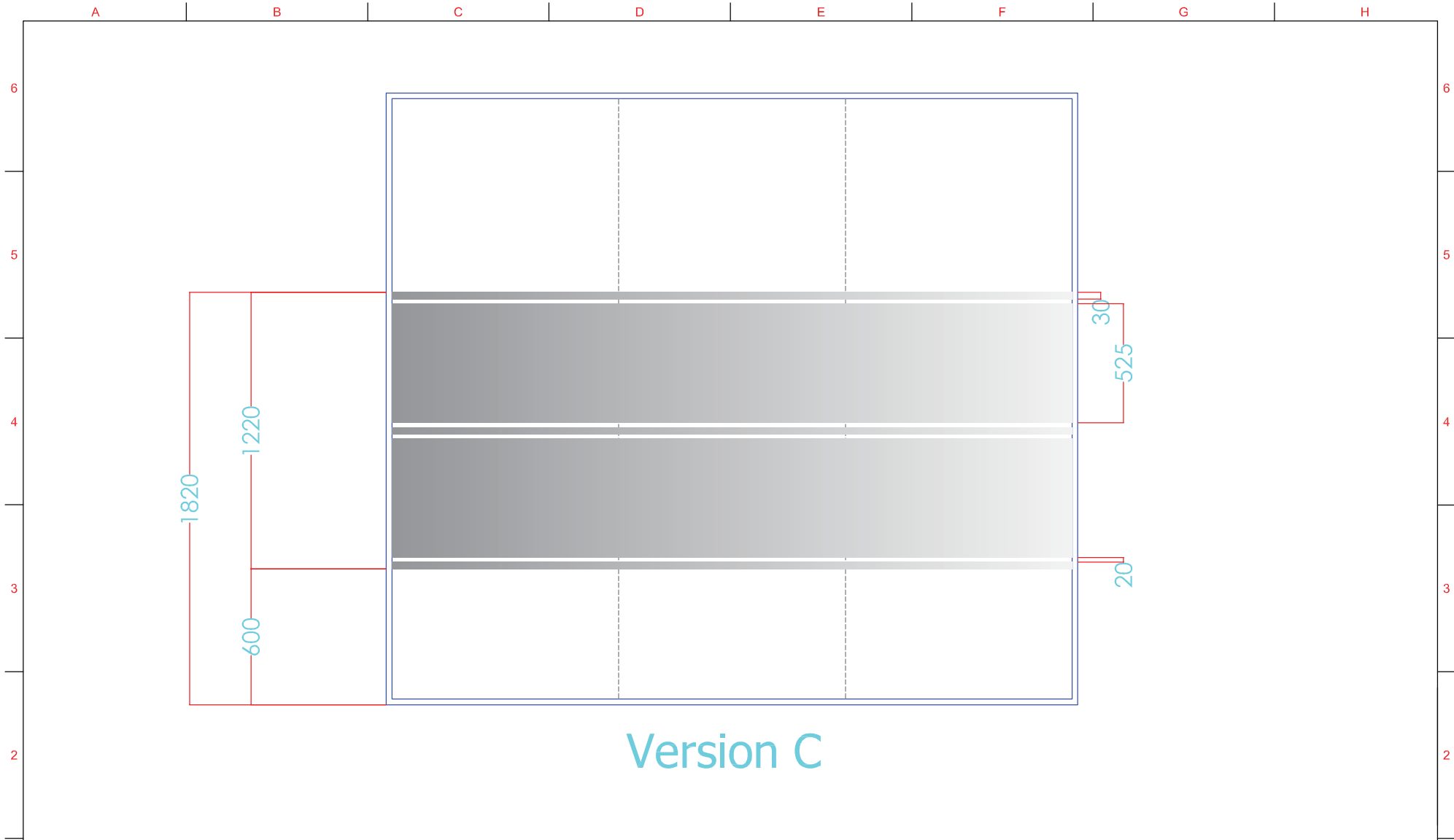
Unit 17, 12 Kendall St, Parramatta NSW 2150
Phone 02 9635 9100 Fax 02 9635 1122 Web www.apex.com.au

| REVISION | DESCRIPTION | DRAWN | CHECKED | DATE |
|----------|----------------|-------|---------|------------|
| A | ORIGINAL ISSUE | P.D. | P.D. | 03/11/2010 |

A B C D E F G H

1

1



Version C

DISCLAIMER: The rules and regulations as described in the current Building Code of Australia and / or Australian Standards must be followed in preference to any details provided in this drawing. Unless specifically mentioned otherwise we assume Authority Approvals and / or Certification are sought and obtained by others. Contractors must verify all dimensions on site prior to quoting or starting any works, dimensions are not to be scaled from this drawing.

This drawing is only to be used in accordance with the terms and conditions as described at www.apexf.com.au/disclaimer.html
Apex Executive Interiors Pty Ltd - ABN 65 123 437 561

Graphic Film Version C

COPYRIGHT RESERVED
This drawing is the property of APEX EXECUTIVE INTERIORS Pty Ltd. It must not be copied without prior written consent. The information shown on it is to be regarded as confidential and must not be disclosed to any third party.

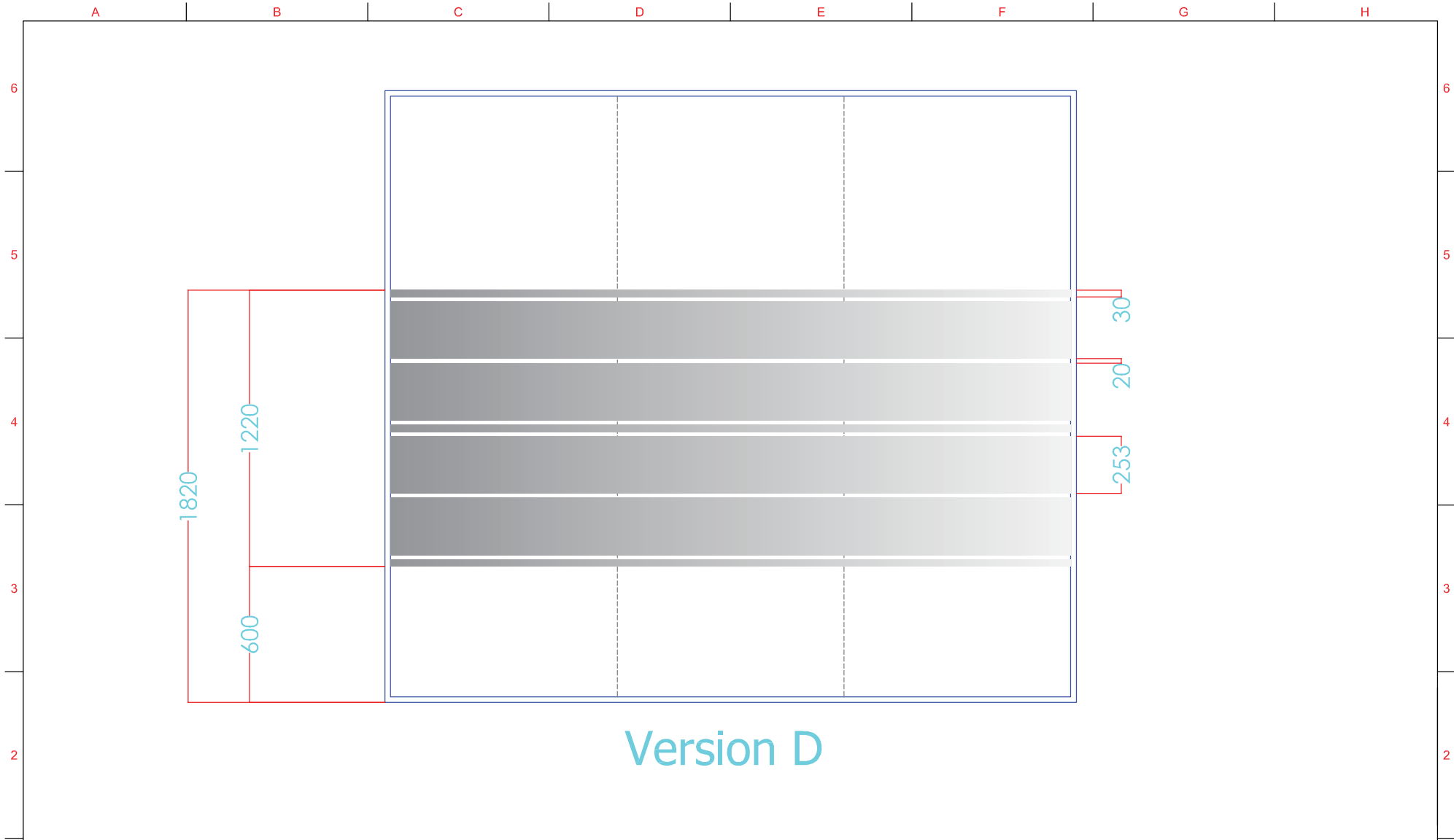
GF 00C
DRAWN BY: P.D.
FIRST DRAFTED: 03/11/2010



Unit 17, 12 Kendall St, Parramatta NSW 2150
Phone 02 9635 9100 Fax 02 9635 1122 Web www.apexf.com.au

| | | | | |
|----------|----------------|-------|---------|------------|
| A | ORIGINAL ISSUE | P.D. | P.D. | 03/11/2010 |
| REVISION | DESCRIPTION | DRAWN | CHECKED | DATE |

| | | | | | | |
|-------|---------------|--------|---|----|---|----|
| SCALE | DIMENSIONS MM | SHEET: | 1 | OF | 1 | A3 |
| 1:16 | DO NOT SCALE | | | | | |



Version D

DISCLAIMER: The rules and regulations as described in the current Building Code of Australia and / or Australian Standards must be followed in preference to any details provided in this drawing. Unless specifically mentioned otherwise we assume Authority Approvals and / or Certification are sought and obtained by others. Contractors must verify all dimensions on site prior to quoting or starting any works, dimensions are not to be scaled from this drawing.

This drawing is only to be used in accordance with the terms and conditions as described at www.apex.com.au/disclaimer.html
Apex Executive Interiors Pty Ltd - ABN 65 123 437 561

Graphic Film Version D

COPYRIGHT RESERVED
This drawing is the property of APEX EXECUTIVE INTERIORS Pty Ltd. It must not be copied without prior written consent. The information shown on it is to be regarded as confidential and must not be disclosed to any third party.

GF 00D

DRAWN BY: P.D.

SCALE 1:16
DIMENSIONS MM
DO NOT SCALE

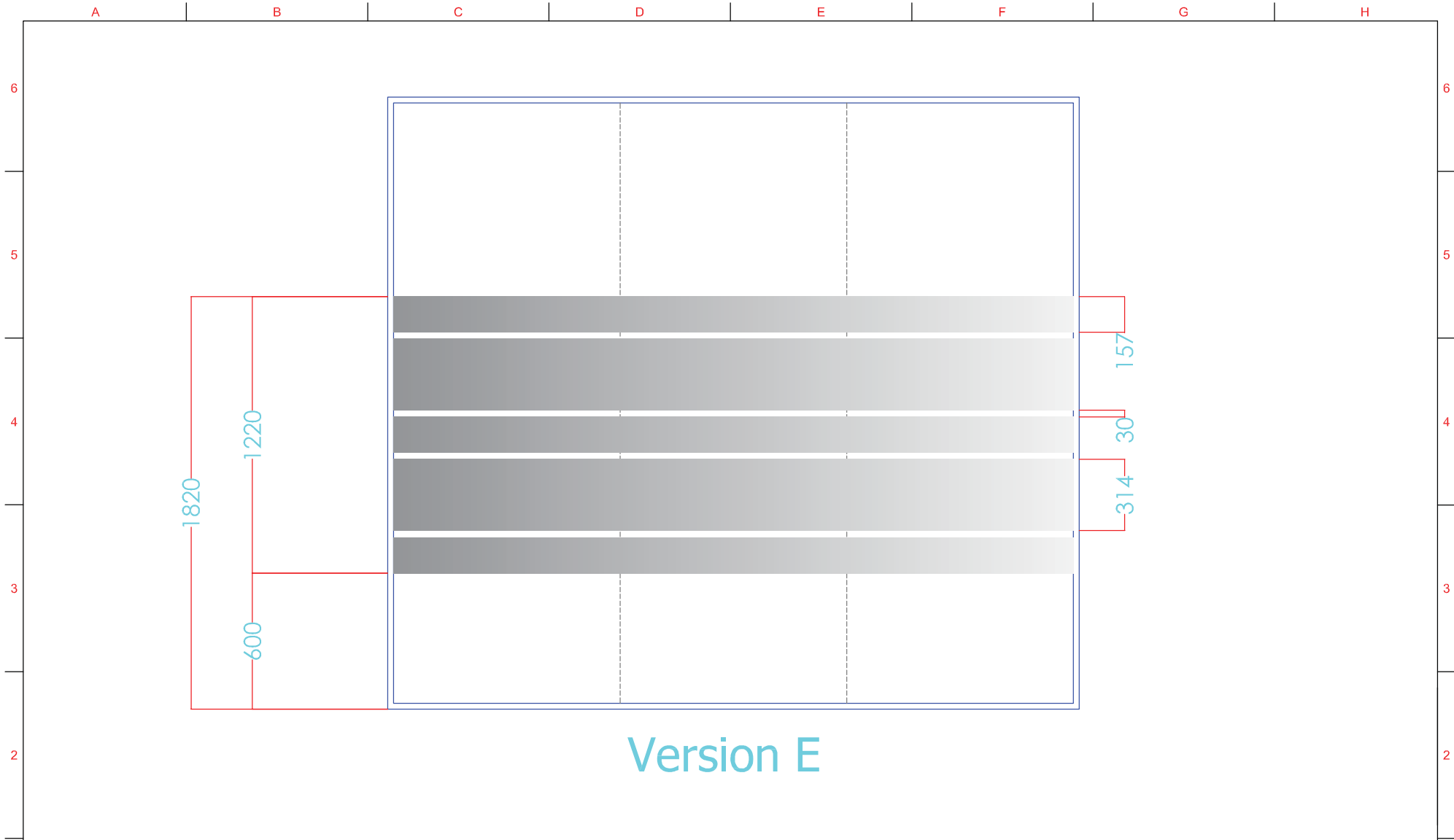
FIRST DRAFTED: 03/11/2010

SHEET: 1 OF 1 A3



Unit 17, 12 Kendall St, Parramatta NSW 2150
Phone 02 9635 9100 Fax 02 9635 1122 Web www.apex.com.au

| REVISION | DESCRIPTION | DRAWN | CHECKED | DATE |
|----------|----------------|-------|---------|------------|
| A | ORIGINAL ISSUE | P.D. | P.D. | 03/11/2010 |



Version E

DISCLAIMER: The rules and regulations as described in the current Building Code of Australia and / or Australian Standards must be followed in preference to any details provided in this drawing. Unless specifically mentioned otherwise we assume Authority Approvals and / or Certification are sought and obtained by others. Contractors must verify all dimensions on site prior to quoting or starting any works, dimensions are not to be scaled from this drawing.

This drawing is only to be used in accordance with the terms and conditions as described at www.apexf.com.au/disclaimer.html
Apex Executive Interiors Pty Ltd - ABN 65 123 437 561

Graphic Film Version E

COPYRIGHT RESERVED
This drawing is the property of APEX EXECUTIVE INTERIORS Pty Ltd. It must not be copied without prior written consent. The information shown on it is to be regarded as confidential and must not be disclosed to any third party.

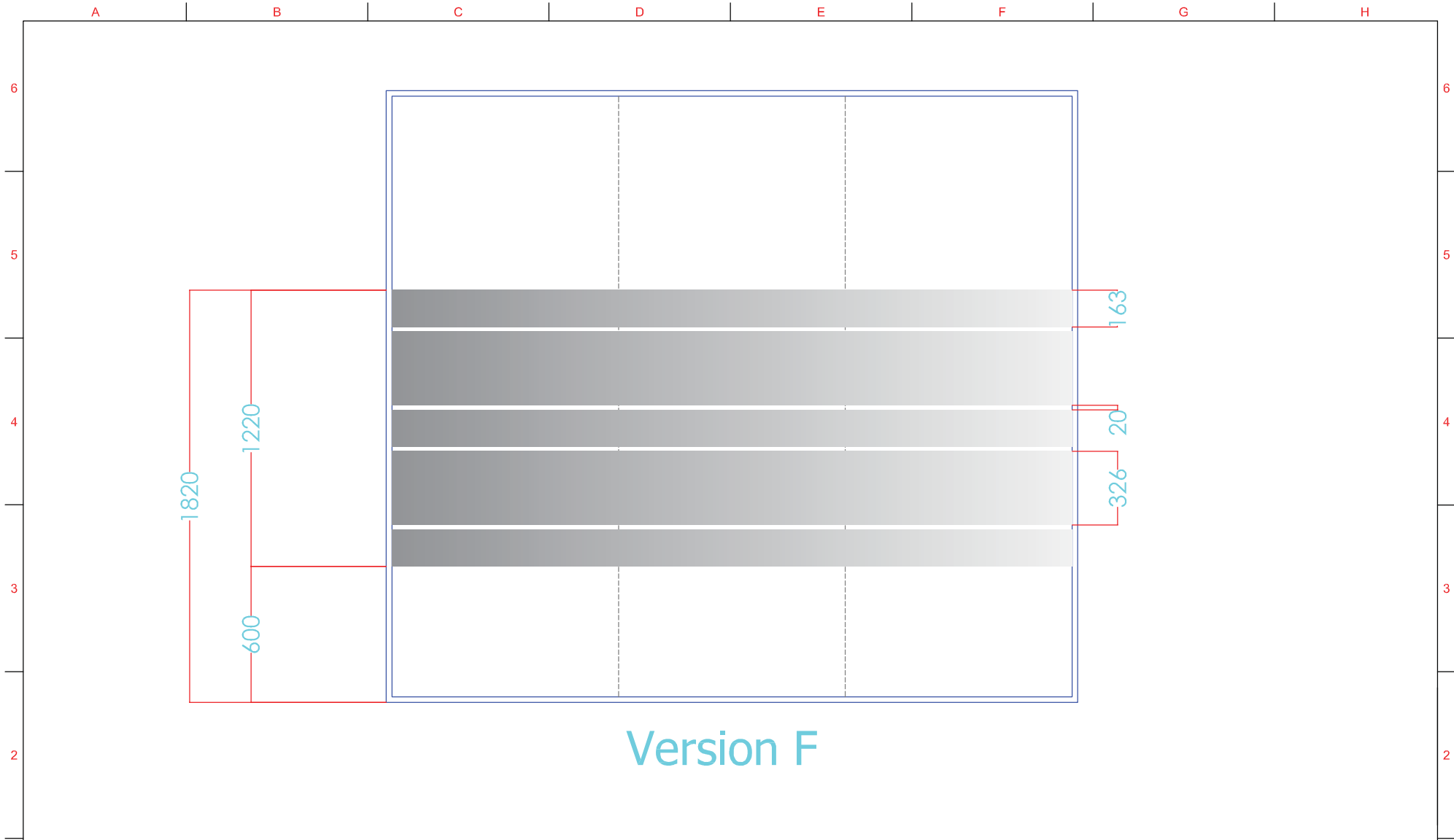
GF 00E
DRAWN BY: P.D.
FIRST DRAFTED: 03/11/2010



Unit 17, 12 Kendall St, Parramatta NSW 2150
Phone 02 9635 9100 Fax 02 9635 1122 Web www.apexf.com.au

| | | | | |
|----------|----------------|-------|---------|------------|
| A | ORIGINAL ISSUE | P.D. | P.D. | 03/11/2010 |
| REVISION | DESCRIPTION | DRAWN | CHECKED | DATE |

| | | | | | | |
|-------|---------------|--------|---|----|---|----|
| SCALE | DIMENSIONS MM | SHEET: | 1 | OF | 1 | A3 |
| 1:16 | DO NOT SCALE | | | | | |



Version F

DISCLAIMER: The rules and regulations as described in the current Building Code of Australia and / or Australian Standards must be followed in preference to any details provided in this drawing. Unless specifically mentioned otherwise we assume Authority Approvals and / or Certification are sought and obtained by others. Contractors must verify all dimensions on site prior to quoting or starting any works, dimensions are not to be scaled from this drawing.

This drawing is only to be used in accordance with the terms and conditions as described at www.apexf.com.au/disclaimer.html
Apex Executive Interiors Pty Ltd - ABN 65 123 437 561

Graphic Film Version F

COPYRIGHT RESERVED
This drawing is the property of APEX EXECUTIVE INTERIORS Pty Ltd. It must not be copied without prior written consent. The information shown on it is to be regarded as confidential and must not be disclosed to any third party.

GF 00F

DRAWN BY: P.D.

SCALE 1:16
DIMENSIONS MM
DO NOT SCALE

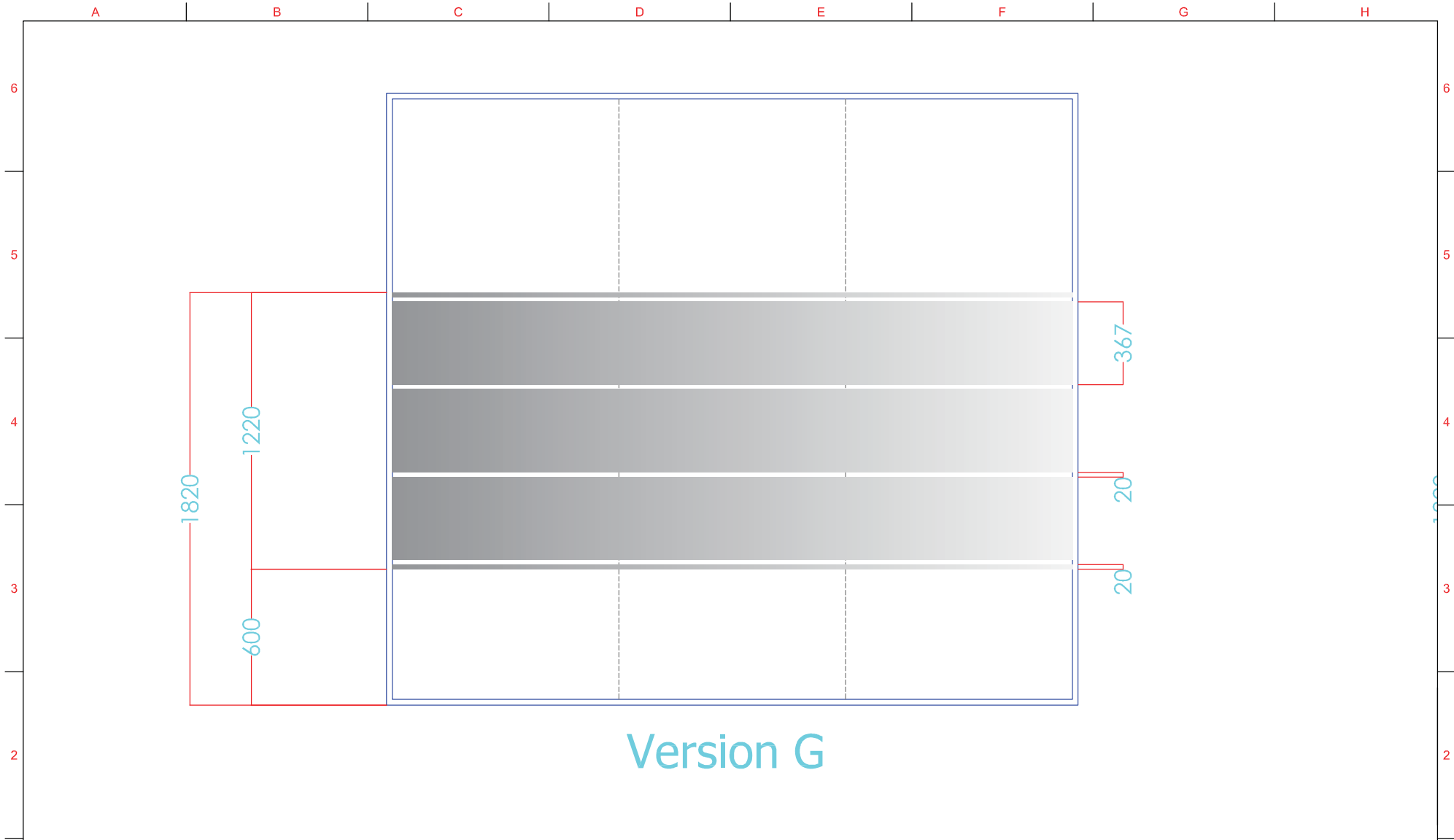
FIRST DRAFTED: 03/11/2010

SHEET: 1 OF 1 A3



Unit 17, 12 Kendall St, Parramatta NSW 2150
Phone 02 9635 9100 Fax 02 9635 1122 Web www.apexf.com.au

| REVISION | DESCRIPTION | DRAWN | CHECKED | DATE |
|----------|----------------|-------|---------|------------|
| A | ORIGINAL ISSUE | P.D. | P.D. | 03/11/2010 |



Version G

DISCLAIMER: The rules and regulations as described in the current Building Code of Australia and / or Australian Standards must be followed in preference to any details provided in this drawing. Unless specifically mentioned otherwise we assume Authority Approvals and / or Certification are sought and obtained by others. Contractors must verify all dimensions on site prior to quoting or starting any works, dimensions are not to be scaled from this drawing.

This drawing is only to be used in accordance with the terms and conditions as described at www.apex.com.au/disclaimer.html
Apex Executive Interiors Pty Ltd - ABN 65 123 437 561

Graphic Film Version G

COPYRIGHT RESERVED
This drawing is the property of APEX EXECUTIVE INTERIORS Pty Ltd. It must not be copied without prior written consent. The information shown on it is to be regarded as confidential and must not be disclosed to any third party.

GF 00G
DRAWN BY: P.D.
FIRST DRAFTED: 03/11/2010



Unit 17, 12 Kendall St, Parramatta NSW 2150
Phone 02 9635 9100 Fax 02 9635 1122 Web www.apex.com.au

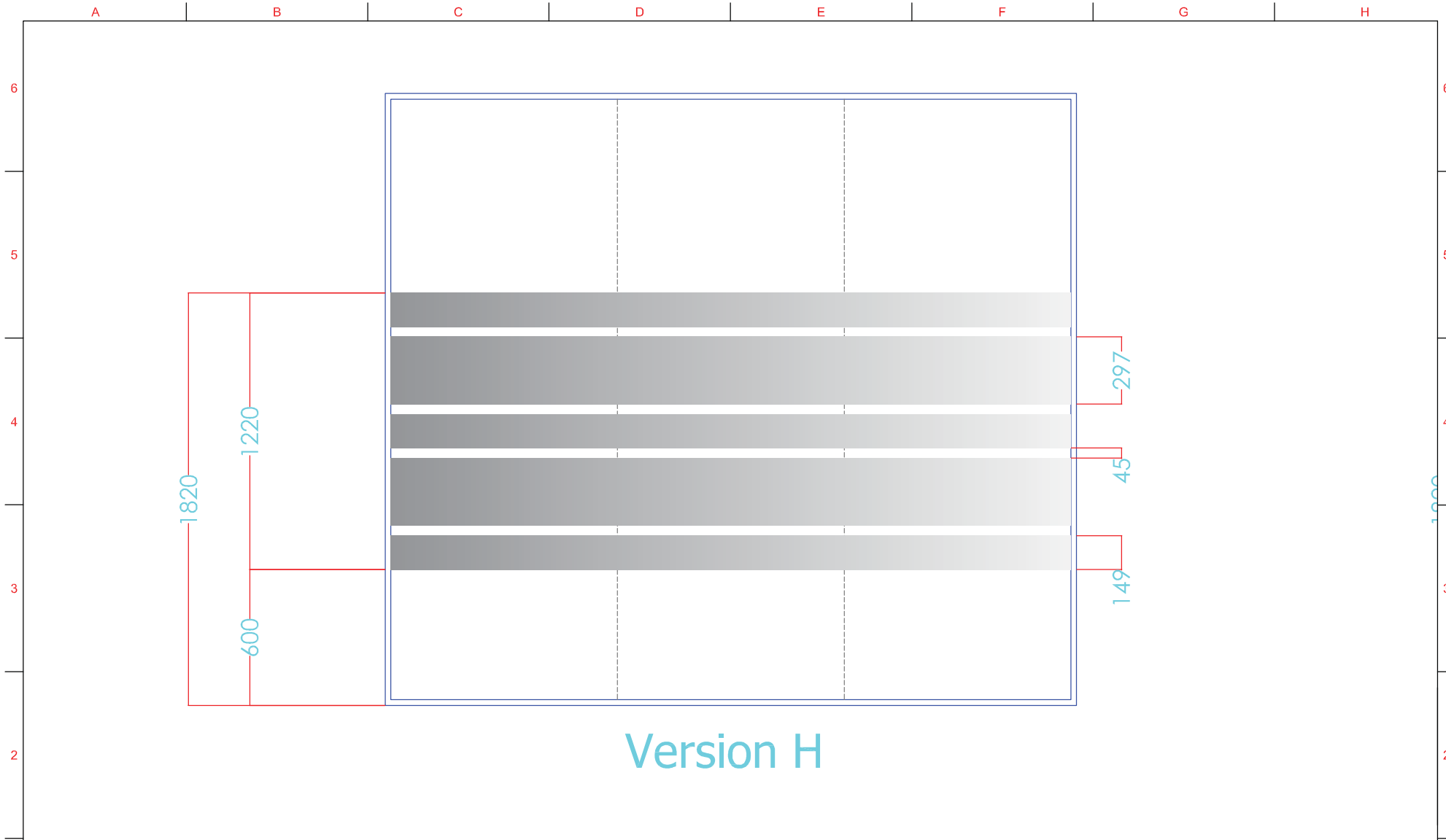
| | | | | |
|----------|----------------|-------|---------|------------|
| A | ORIGINAL ISSUE | P.D. | P.D. | 03/11/2010 |
| REVISION | DESCRIPTION | DRAWN | CHECKED | DATE |

| | | | | | | |
|-------|---------------|--------|---|----|---|----|
| SCALE | DIMENSIONS MM | SHEET: | 1 | OF | 1 | A3 |
| 1:16 | DO NOT SCALE | | | | | |

1

1

A B C D E F G H



Version H

DISCLAIMER: The rules and regulations as described in the current Building Code of Australia and / or Australian Standards must be followed in preference to any details provided in this drawing. Unless specifically mentioned otherwise we assume Authority Approvals and / or Certification are sought and obtained by others. Contractors must verify all dimensions on site prior to quoting or starting any works, dimensions are not to be scaled from this drawing.

This drawing is only to be used in accordance with the terms and conditions as described at www.apexf.com.au/disclaimer.html
Apex Executive Interiors Pty Ltd - ABN 65 123 437 561

Graphic Film Version H

COPYRIGHT RESERVED
This drawing is the property of APEX EXECUTIVE INTERIORS Pty Ltd. It must not be copied without prior written consent. The information shown on it is to be regarded as confidential and must not be disclosed to any third party.

GF 00H

DRAWN BY: P.D.

SCALE 1:16
DIMENSIONS MM
DO NOT SCALE

FIRST DRAFTED: 03/11/2010

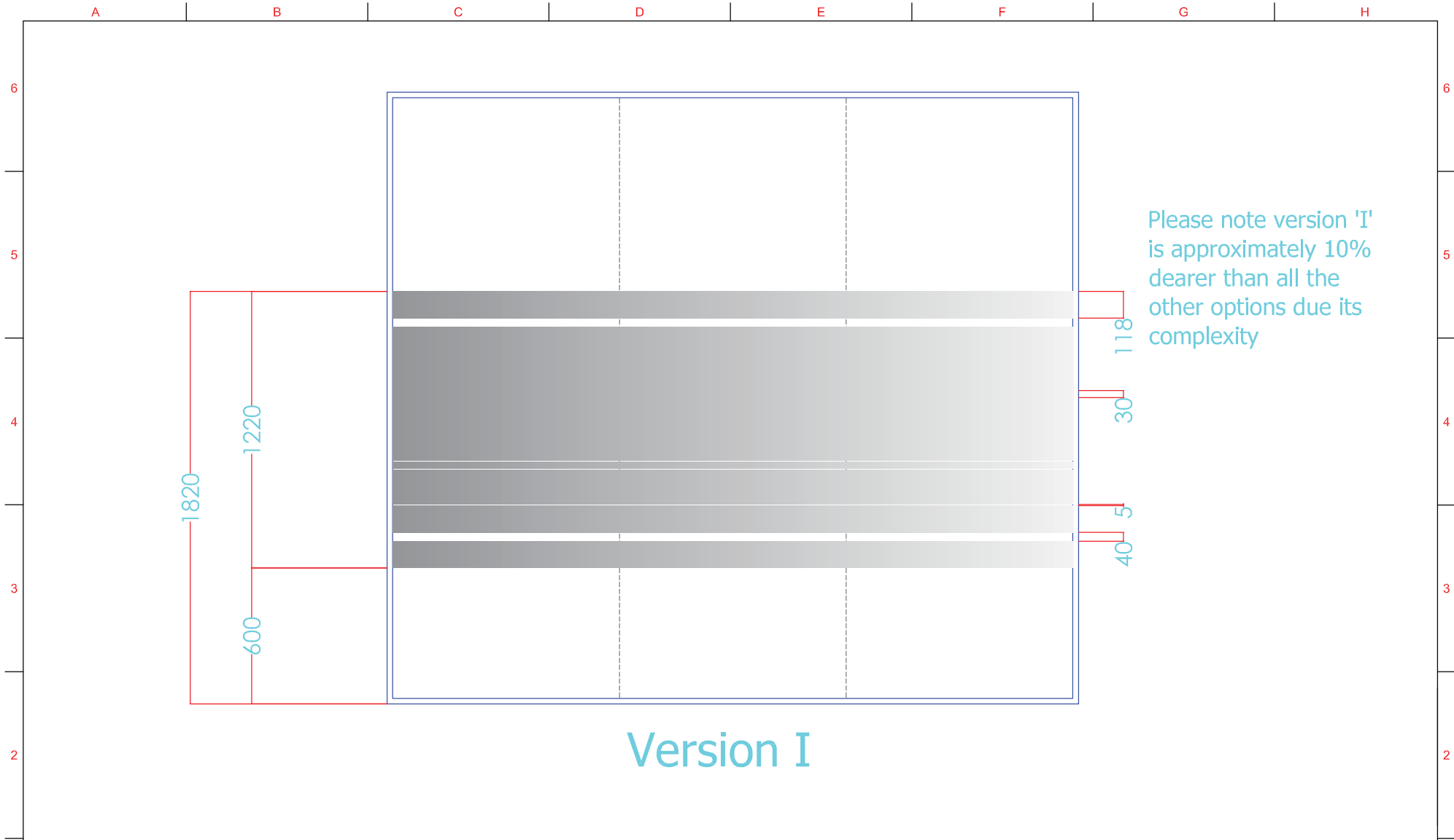
SHEET: 1 OF 1 A3



Designing and delivering safe and efficient corporate environments

Unit 17, 12 Kendall St, Parramatta NSW 2150
Phone 02 9635 9100 Fax 02 9635 1122 Web www.apexf.com.au

| REVISION | DESCRIPTION | P.D. DRAWN | P.D. CHECKED | 03/11/2010 DATE |
|----------|----------------|---------------|-----------------|--------------------|
| A | ORIGINAL ISSUE | | | |



Version I

Please note version 'I' is approximately 10% dearer than all the other options due its complexity

DISCLAIMER: The rules and regulations as described in the current Building Code of Australia and / or Australian Standards must be followed in preference to any details provided in this drawing. Unless specifically mentioned otherwise we assume Authority Approvals and / or Certification are sought and obtained by others. Contractors must verify all dimensions on site prior to quoting or starting any works, dimensions are not to be scaled from this drawing.

This drawing is only to be used in accordance with the terms and conditions as described at www.apex.com.au/disclaimer.html
Apex Executive Interiors Pty Ltd - ABN 65 123 437 561

Graphic Film Version I

COPYRIGHT RESERVED
This drawing is the property of APEX EXECUTIVE INTERIORS Pty Ltd. It must not be copied without prior written consent. The information shown on it is to be regarded as confidential and must not be disclosed to any third party.

GF 00I

DRAWN BY: P.D.

FIRST DRAFTED: 03/11/2010

SHEET: 1 OF 1 A3



APEX
EXECUTIVE INTERIORS
Designing and delivering safe and efficient corporate environments

Unit 17, 12 Kendall St, Parramatta NSW 2150
Phone 02 9635 9100 Fax 02 9635 1122 Web www.apex.com.au

| | | | | |
|----------|----------------|-------|---------|------------|
| A | ORIGINAL ISSUE | P.D. | P.D. | 03/11/2010 |
| REVISION | DESCRIPTION | DRAWN | CHECKED | DATE |

A B C D E F G H

1

1